



PLUMBING INSULATION INSTALLATION GUIDE



SUPERIOR NATURAL PERFORMANCE

SAFETY FIRST

- Terra Lana Wool Insulation is non-irritant, non-toxic and is completely safe, requiring no protective clothing during installation.
- **Protective clothing is NOT required**, however if the site is dusty, a dust mask and safety glasses are recommended.

TOOLS AND EQUIPMENT

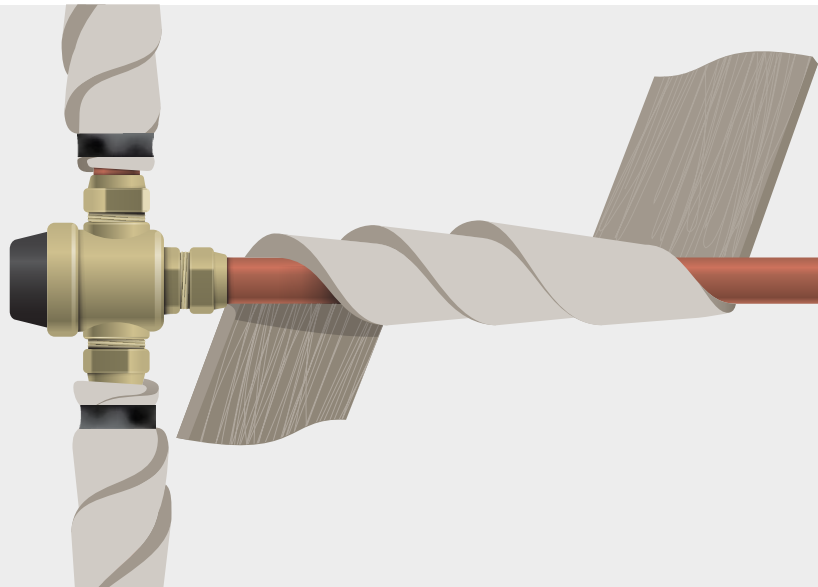
- A 20mm blade craft knife, such as Stanley or Tajima (for smaller projects).
- PVC tape or cable ties.

For the insulation of water supply pipe work up to 40mm diameter. Available products:

- 75mm x 10m
- Tubular 100m

INSTALLING THE INSULATION

- Wind the Terra Lana Woollen around the pipe in a coil like manner ensuring a 50% overlap.
- Secure both ends of the lagging with PVC tape or cable ties.
- Where the lagging is exposed to direct sunlight it must be protected by a UV resistant wrapping.
- Where exposed to external moisture lagging should be protected by a waterproof membrane.
- When installed as shown, Terra Lana Wool lagging will comply with the minimum requirements of N.Z.B.C Clause G12, Water Supplies.



Declare.



Terra Lana Products Ltd // 0800 485 262 // info@terralana.co.nz
55 Francella St, PO Box 19755, Christchurch, NZ // terralana.co.nz

vNOV2022